

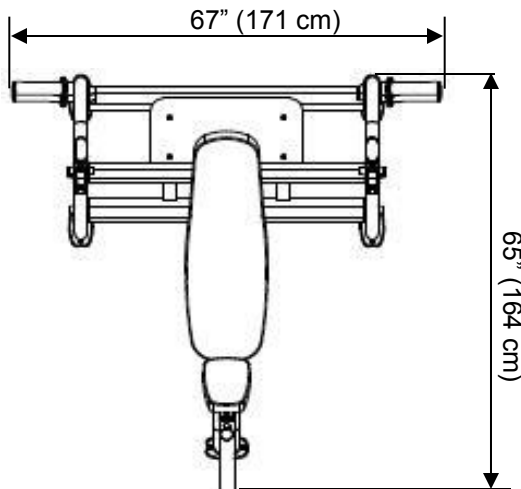


## NOIB

### Olympic Incline Bench

#### NOIB Olympic Incline Bench

Steelflex® NOIB Olympic Incline Bench is targeting your Pectoralis muscle. The NOIB features special oval tubing and an ergonomic design, the seat high also adjustable, choose NOIB and adjust the seat to comfortable place and do Incline Bench Press training safely and reliably. Get one to complete your power center.



#### SPECIFICATIONS

- A. Mainframe: Heavy-Gauge 1.968" X 3.937" oval tubing (50 x 100 x 2.5T mm)
- B. Upholstery (B/R): Durable double stitched upholstery (ergonomic design)
- C. Four Olympic Storage weight posts with ergonomic angle design - keeping your workout area clutter free, and removing Plates smoothly and easily.
- D. Solid gun racks with plastic cover – more quiet and safe
- E. Electrostatically applied powder coat paint finish , metallic silver
- F. Seat: Adjustable
- G. Bar Holders steel and covered with a durable plastic to protect holders
- H. Product Weight: 166 lbs / 76 kg
- I. Dimension: 67" L x 65" W x 61" H (171 cm x 164 cm x 155.5 cm)
- J. Packing: 3 Cartons, 16.7 Cubic Feet

Fitness Master Inc. • 11419 Mathis #200 • Farmers Branch, Texas 75234  
Tel: 214.350.8884 • Toll Free: 1.855.846.0087